



### Main features

- FLAT-body design
- Good linearity
- Designed integrate into machine

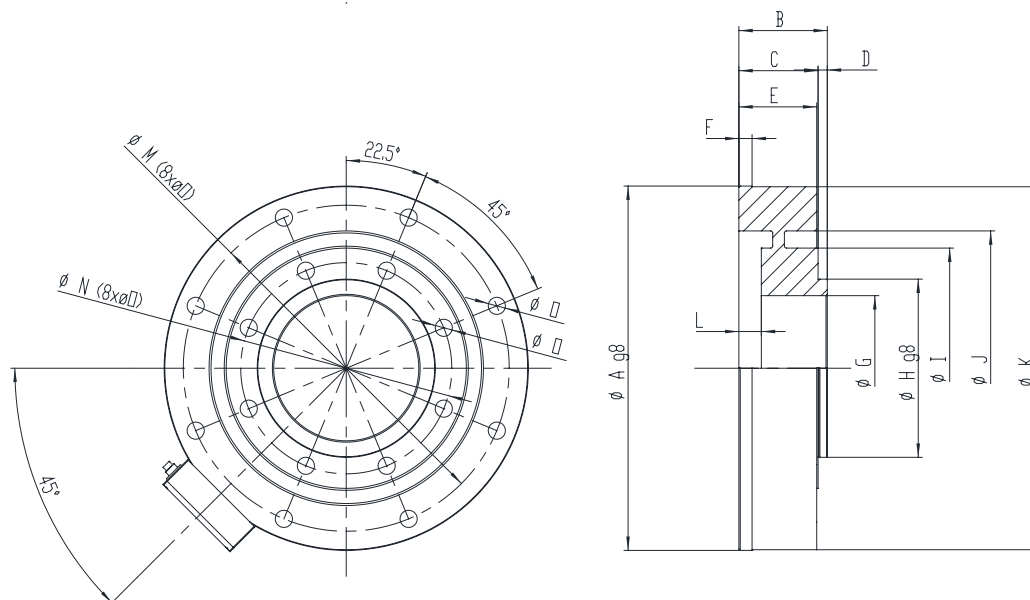
Pancake like diaphragm load cell designed for the use in Fully electric Injection Molding Machines.

The Flat-Body design allows for easy integration into the injection unit without adding to the machine length.

### TECHNICAL DATA

Strain gauge type	Foil (GF = 2.0)
Measuring range	60...650kN
Low-pass filter	700 Hz
Output signal	0...±10VDC, 4...20mA
Noise	< 10mV
Accuracy	< ± 1% FS
Accuracy of zero point	< ± 0.1% FS
Linearity	< ± 0.6% FS
Hysteresis	< ± 0.6% FS
Repeatability	< ± 0.2% FS
Output resistance	0Ω
Reset time	> 25ms
Reset voltage	15...28VDC, 0VDC
Supply voltage	20...28VDC
Supply current	<60mA
Inverse polarity protection	Yes
Accidental short-circuit protection	Yes
Operating temperature range	0...70°C
Storage temperatur range	0...70°C
Temperature effect on zero balance @ 10°C	0.15%
Temperature effect on output @ 10°C	0.15%
Maximum applicable load	150%
Rupture load	>200%
Protection class	IP54
EMC	2014/30/EU
Case material	Steel

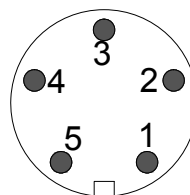
## MECHANICAL DIMENSIONS



Rated capacity / Nennleistung	A	B	C	D	E	F	G	H	I	J	K	L	M	N	O
60kN	181	40	37	3	36	5	72	80	112	138	174	14	154	93	9
80kN	181	40	37	3	36	5	72	80	112	138	174	14	154	93	9
150kN	181	65	60	5	59	10	70	80	112	138	180	17	160	93	9
200kN	181	65	60	5	59	10	70	80	112	138	180	17	160	93	9
300kN	276	67	60	7	59	10	110	135	182	208	275	17	247	160	13
500kN	276	67	60	7	59	10	110	135	182	208	275	17	247	160	13
650kN	322	67	60	7	59	10	173	180	230	270	321	15	298	194	13

## ELECTRICAL CONNECTIONS

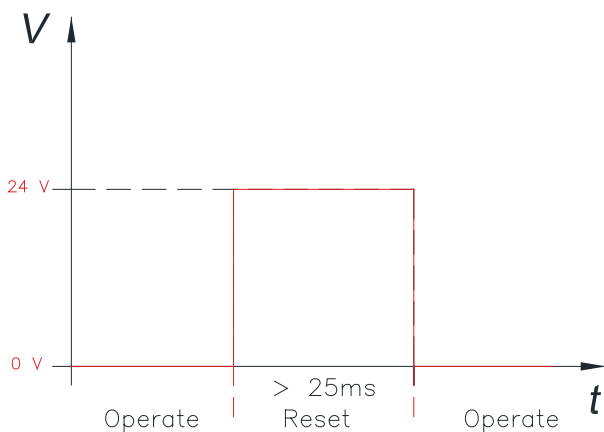
FUNCTION	CONNECTOR OUTPUT 09 0415 00 05 M9 X 5
+ 24V	1
GROUND	2
RESET	3
- SIG	4
+ SIG	5



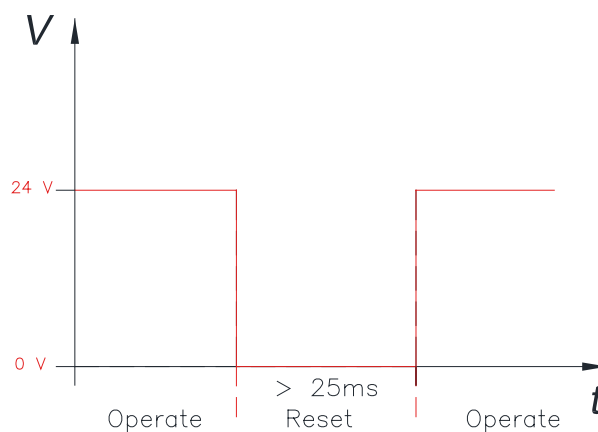
1 Exc +  
2 Exc -  
3 Reset  
4 Sig -  
5 Sig +

## RESET FUNCTION

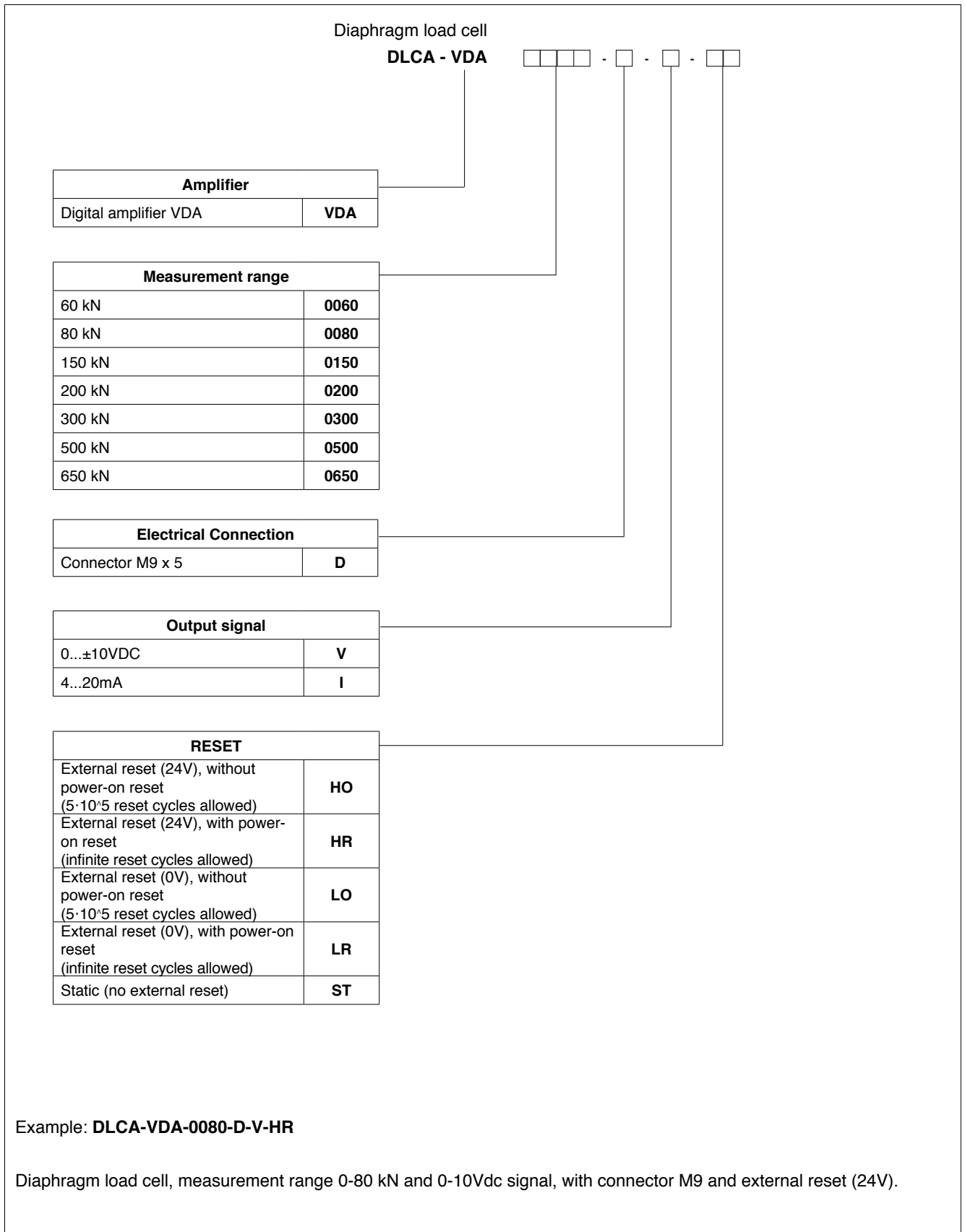
Reset control input	Reset	14...28V
	Operate	0V/open
Minimum reset pulse duration	> 25 ms	



Reset control input	Reset	0V
	Operate	5...28V/open
Minimum reset pulse duration	> 25 ms	



# ORDER CODE



GEFRAN spa reserves the right to make any kind of design or functional modification at any moment without prior notice.



**Sensormate AG**  
Steigweg 8, - CH-8355 Aadorf, Switzerland  
ph: +41(0)52-2421818 - fax: +41(0)52-3661884  
Internet: <http://www.sensormate.ch>

**GEFRAN**

**GEFRAN spa**  
via Sebina, 74 - 25050 PROVAGLIO D'ISEO (BS) - ITALY  
ph. +39 030 9888.1 - fax. +39 030 9839063  
Internet: <http://www.gefran.com>

DTS\_DLCA\_01-2017\_ENG